



**INDUSTRIES SERVED**



**CHOCOLATE & CANDY**



**MEAT & POULTRY**



**DRESSINGS, RELISHES & DIPS**



**SOUPS & SAUCES**



**CHEESE & DAIRY**



**PET FOOD**



**SAVOURY & PIE FILLINGS**



**READY MEALS**

CM Process Solutions heavy duty double bowl utensil wash sinks are manufactured from continuously welded 304 grade stainless steel with a sanitary glass bead blast finish. These utensil sinks are easy to clean and more robust than the standard industry knock together assembly units. Spacious in design for cleaning large utensils, trays and machine change parts. The sinks have a high splash and mount on heavy duty tubular legs with adjustable feet. The legs are inset allowing the utensil wash sink to placed tight up against the wall. The sink can be supplied with standard faucets or our water saving spray hoses.

**FEATURES**

**304**  
 STAINLESS STEEL

**2X**  
 BOWL DESIGN

**DRAINBOARD**

**ADJUSTABLE FOOT**

**REAR UPSTAND**

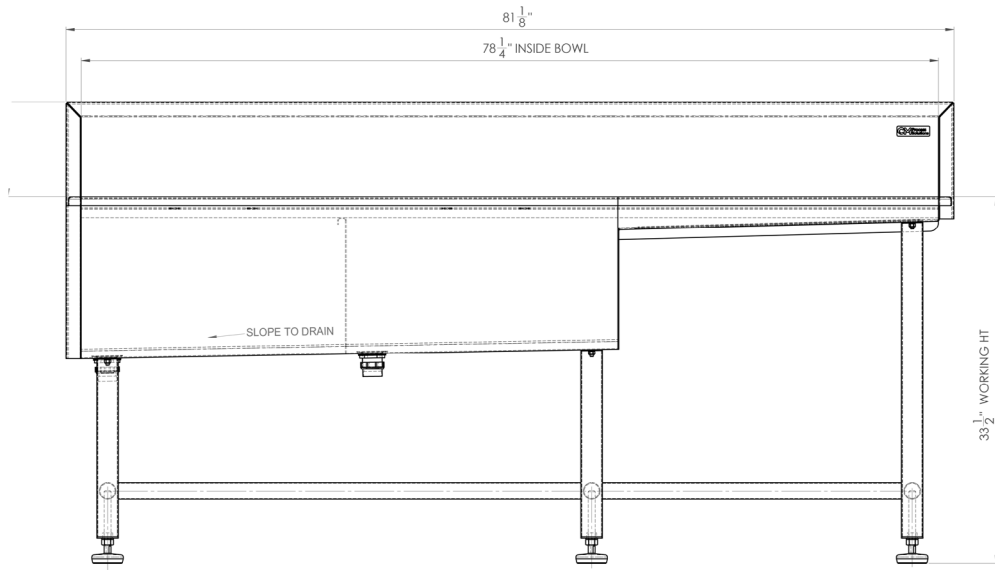
**OPTIONAL SPRAY HOSE**

**CONTINUOUSLY WELDED**

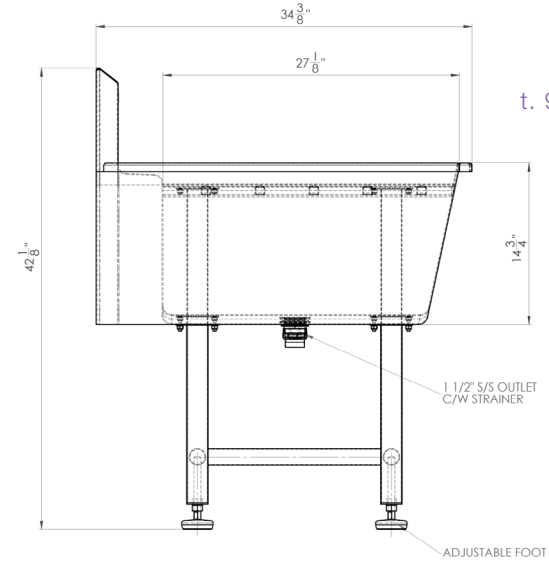
**BEAD BLASTED FINISH**



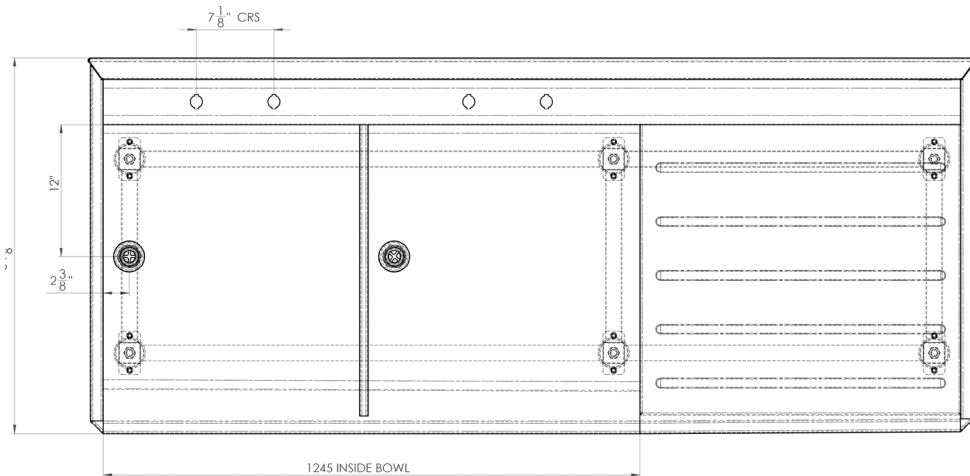
[View this product online](#)



**FRONT VIEW**

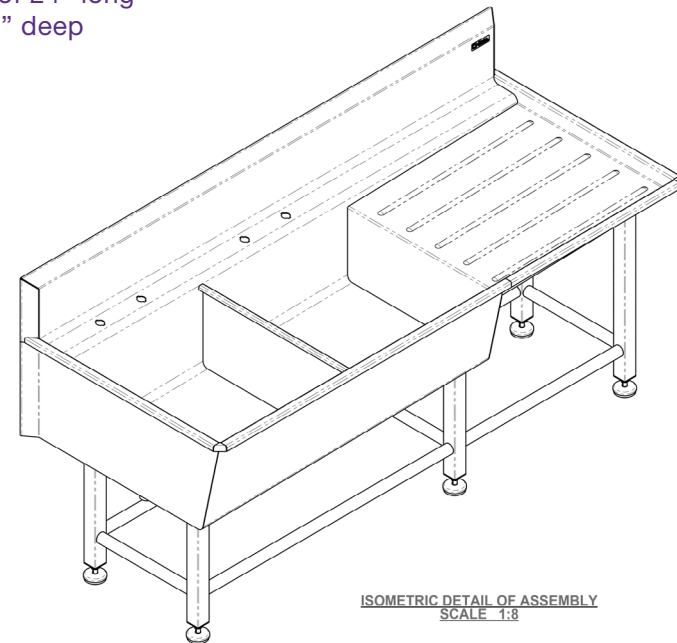


**END VIEW**



**PLAN VIEW**

Stainless steel construction  
 Internal bowl sizes of 24" long  
 x 26" wide x 15" deep



**ISOMETRIC DETAIL OF ASSEMBLY**  
 SCALE 1:8