



INDUSTRIES SERVED



CHOCOLATE & CANDY



MEAT & POULTRY



DRESSINGS, RELISHES & DIPS



SOUPS & SAUCES



CHEESE & DAIRY



PET FOOD



SAVOURY & PIE FILLINGS



READY MEALS

CM Process Solutions hand sanitizer is designed to ensure that employees or visitors sanitize their hands prior to entering the food production or designated areas. The sanitizer is a stand-alone unit and manufactured from 304 grade stainless steel, it comes complete with a stainless steel turnstile.

FEATURES

304
 STAINLESS STEEL

HAND SANITIZE

TURNSTILE ACCESS

HYGIENIC BY DESIGN

SENSOR OPERATED

ADJUSTABLE TIMES

CHEMICAL AUTO DOSING

CHEMICAL STORAGE





OPERATIONAL DESIGN

The operator simply steps up to the unit and places both hands within the chamber. The sensors mounted within the chamber detect the presence of hands and solution is dispensed through the jets.

A signal light will illuminate after the sanitizer is sprayed and the turnstile will unlock to allow the passage of one person. Upon leaving the production or processing room the operator steps up to the unit and a sensor detects their presence and unlocks the turnstile allowing them to pass through.

The sanitation solution dispensing time can be adjusted within the timers of the machine and the chemical is stored on a holder mounted on the side of the machine.

SANITARY DESIGN

As with all our equipment the range of hygiene stations are built using hygienic principles. The construction of the machine is manufactured from 304 grade stainless steel.



sales@cmpsol.com

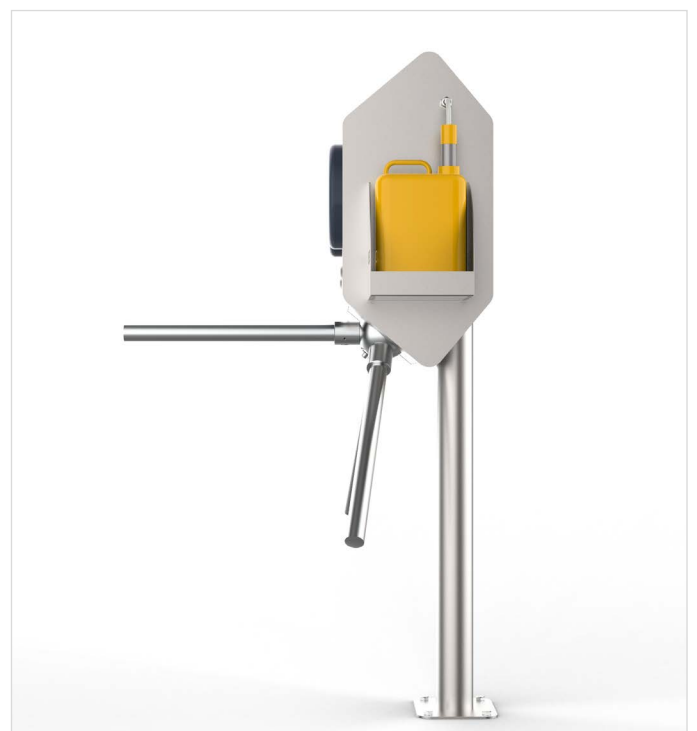
t. 951 808 4376 f. 951 808 8657

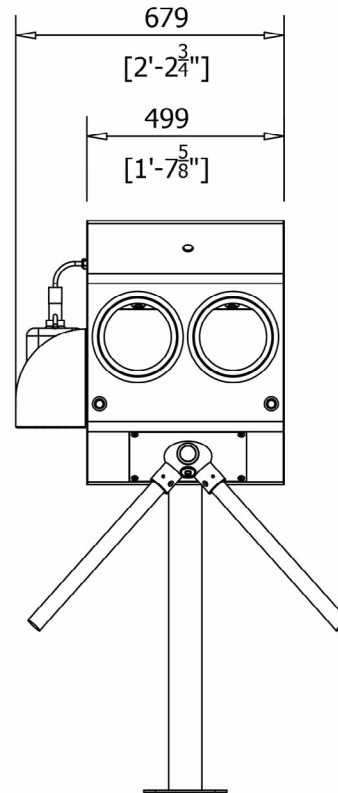
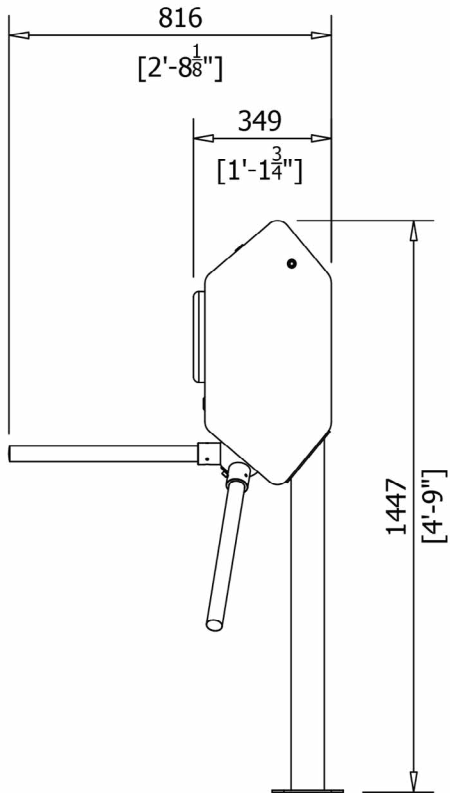
[View this
product online](#)

YOUR CHOICE

Unlike some of our competitors CM Process Solutions warranty does not obligate you to buy chemicals from us in order to receive spare parts or support.

We understand that each application is unique, and we fully believe that there is no one who understands your needs better than you, the customer and your current chemical supplier.





EI.Connection 110V, 3~, 60Hz, 10A Max. Fuse

