



INDUSTRIES SERVED



CHOCOLATE & CANDY



MEAT & POULTRY



DRESSINGS, RELISHES & DIPS



SOUPS & SAUCES



CHEESE & DAIRY



PET FOOD



SAVOURY & PIE FILLINGS



READY MEALS

CM Process Solutions heavy duty utensil wash sinks are manufactured from continuously welded 304 grade stainless steel with a sanitary glass bead blast finish. These utensil sinks are easy to clean and more robust than the standard industry knock together assembly units. Spacious in design for cleaning large utensils, trays and machine change parts. The sinks have a high splash and mount on heavy duty tubular legs with adjustable feet. The legs are inset allowing the utensil wash sink to be placed tight up against the wall. The sink can be supplied with standard faucets or our water saving spray hoses.

FEATURES

304
 STAINLESS STEEL

1X
 BOWL DESIGN

CONTINUOUSLY WELDED

ADJUSTABLE FOOT

REAR UPSTAND

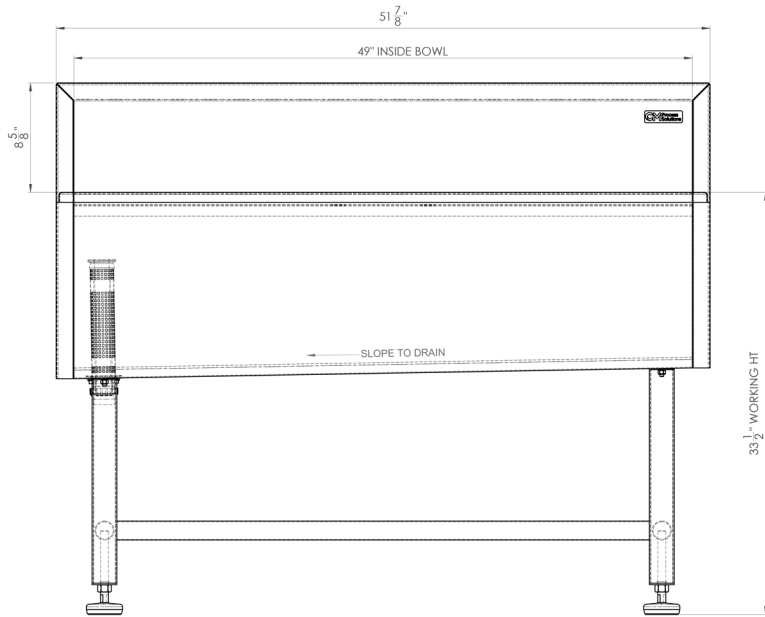
OPTIONAL SPRAY HOSE

WATER SAVING

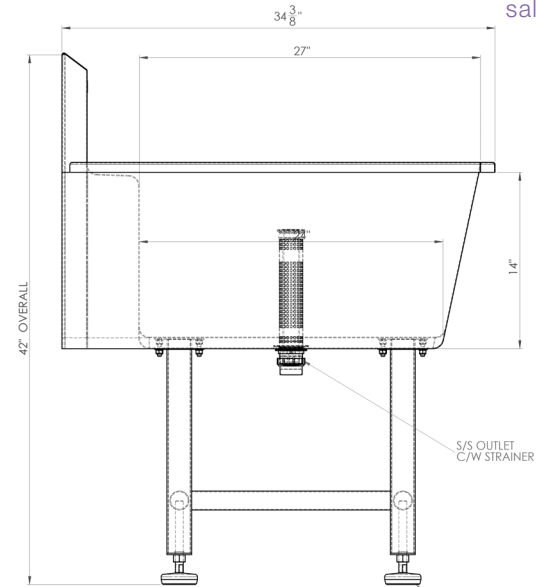
SANITARY BY DESIGN



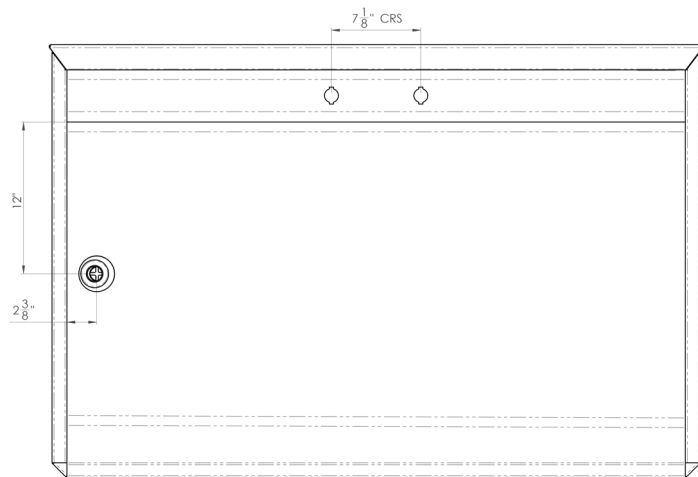
[View this product online](#)



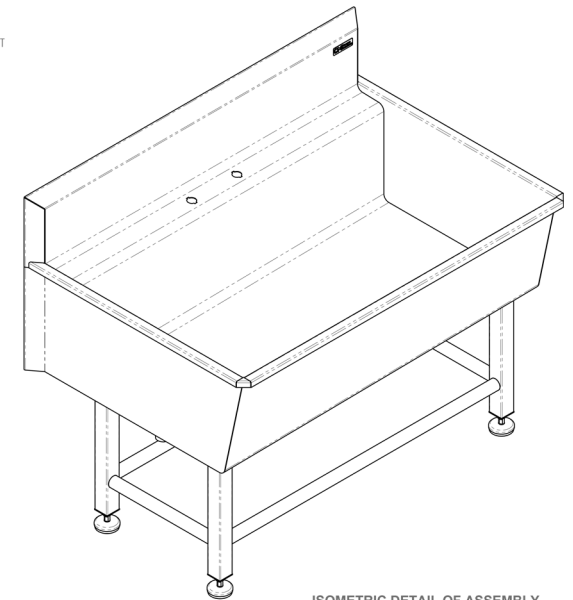
FRONT VIEW



END VIEW



PLAN VIEW



ISOMETRIC DETAIL OF ASSEMBLY

Stainless steel construction
 Internal bowl size of 49" long x 26" wide x 15" deep