



**INDUSTRIES SERVED**



**CHOCOLATE & CANDY**



**MEAT & POULTRY**



**DRESSINGS, RELISHES & DIPS**



**SOUPS & SAUCES**



**CHEESE & DAIRY**



**PET FOOD**



**SAVOURY & PIE FILLINGS**



**READY MEALS**

CM Process Solutions heavy duty utensil wash sinks are manufactured from continuously welded 304 grade stainless steel with a sanitary glass bead blast finish. These utensil sinks are easy to clean and more robust than the standard industry knock together assembly units. Spacious in design for cleaning large utensils, trays and machine change parts. A stainless steel drainboard is mounted to the right side allowing for items to be stored when washing is complete. The sinks have a high splash and mount on heavy duty tubular legs with adjustable feet. The legs are inset allowing the utensil wash sink to be placed tight up against the wall. The sink can be supplied with standard faucets or our water saving spray hoses.

**FEATURES**

**304**  
 STAINLESS STEEL

**1X**  
 BOWL DESIGN

**DRAINBOARD**

**ADJUSTABLE FOOT**

**REAR UPSTAND**

**OPTIONAL SPRAY HOSE**

**CONTINUOUSLY WELDED**

**BEAD BLASTED FINISH**

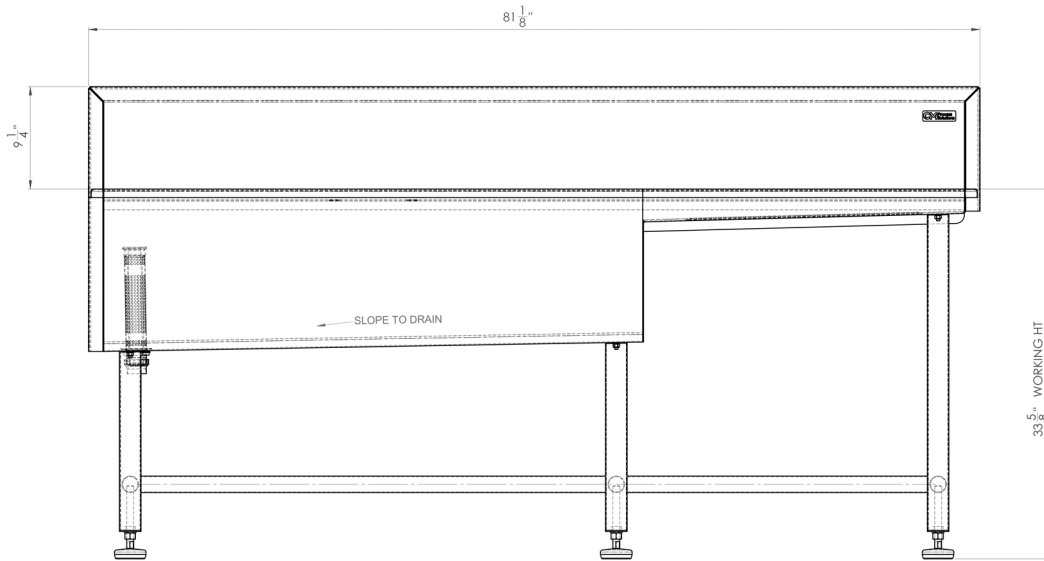


[View this product online](#)

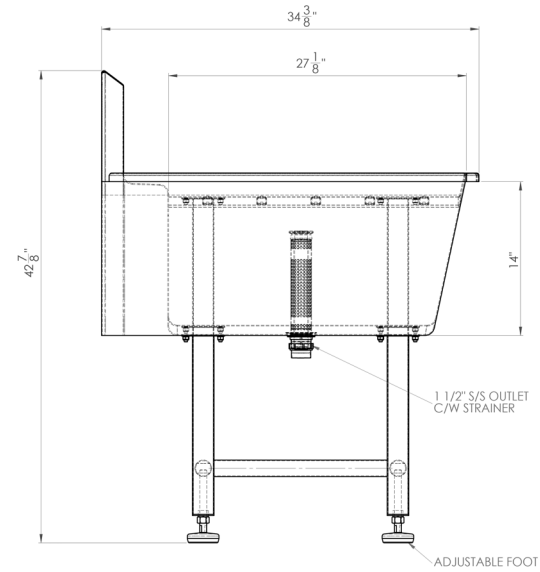
**DIMENSIONS  
LARGE SINGLE BOWL  
SINK WITH DRAINBOARD  
517-001072**

sales@cmpsol.com

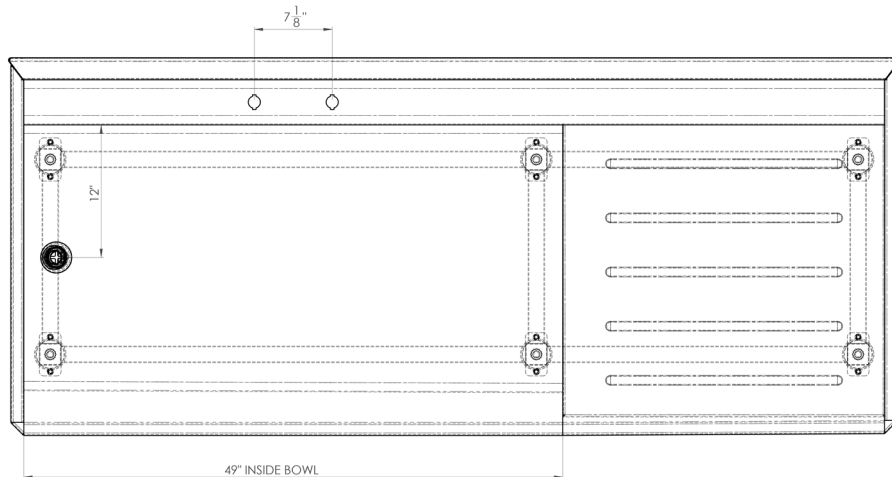
t. 951 808 4376 f. 951 808 8657



**FRONT VIEW**

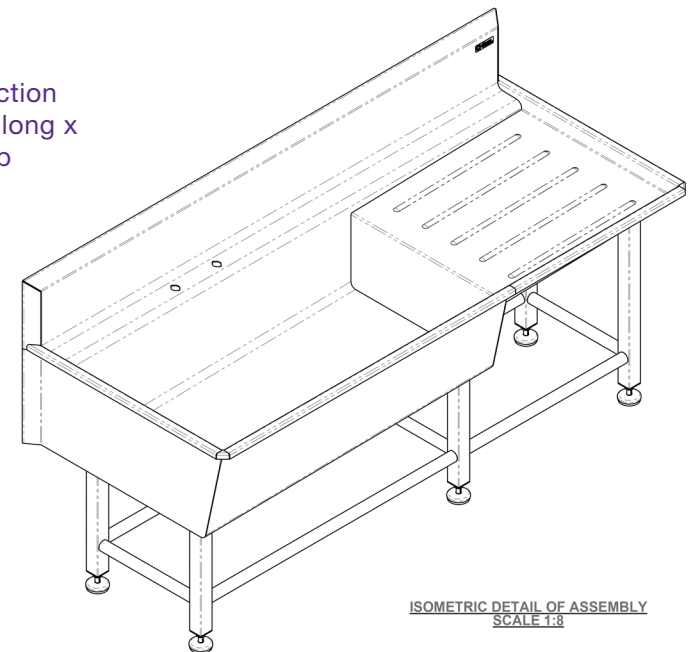


**END VIEW**



**PLAN VIEW**

Stainless steel construction  
Internal bowl size of 49" long x  
26" wide x 15" deep



**ISOMETRIC DETAIL OF ASSEMBLY  
SCALE 1:8**