



INDUSTRIES SERVED



CHOCOLATE & CANDY



MEAT & POULTRY



DRESSINGS, RELISHES & DIPS



SOUPS & SAUCES



CHEESE & DAIRY



PET FOOD



SAVOURY & PIE FILLINGS



READY MEALS

CM Process Solutions heavy duty triple utensil wash sinks are manufactured from continuously welded 304 grade stainless steel with a sanitary glass bead blast finish. The triple bowl design enables the user to pre-wash, wash and rinse. These utensil sinks are easy to clean and more robust than the standard industry knock together assembly units. Spacious in design for cleaning large utensils, trays and machine change parts. The sinks have a high splash and mount on heavy duty tubular legs with adjustable feet. The legs are inset allowing the utensil wash sink to be placed tight up against the wall. The sink can be supplied with standard faucets or our water saving spray hoses. Stainless steel drainboards are mounted to the left and right side allowing for items to be stored when washing is complete.

FEATURES

304
 STAINLESS STEEL

3X
 BOWL DESIGN

DRAINBOARD

ADJUSTABLE FOOT

REAR UPSTAND

OPTIONAL SPRAY HOSE

BEAD BLASTED FINISH

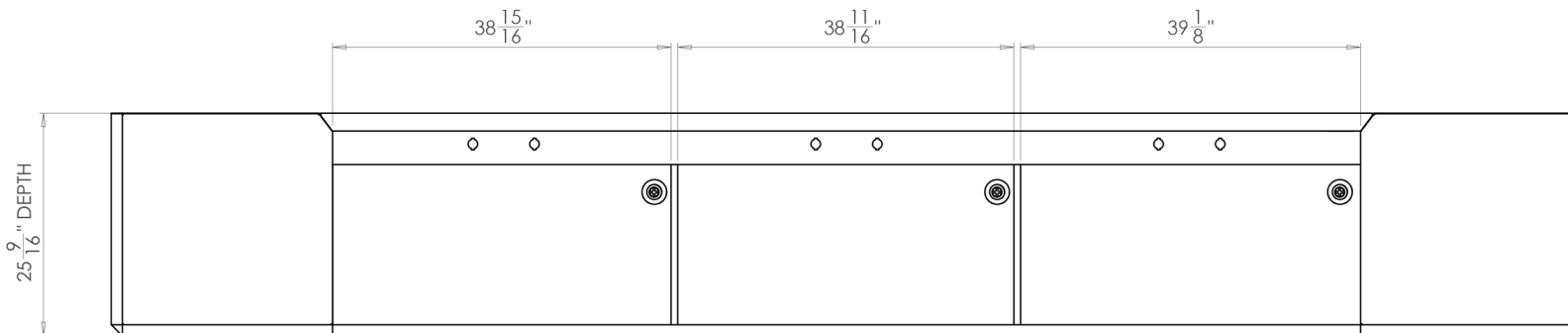
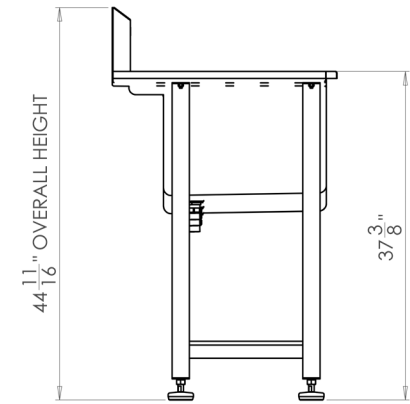
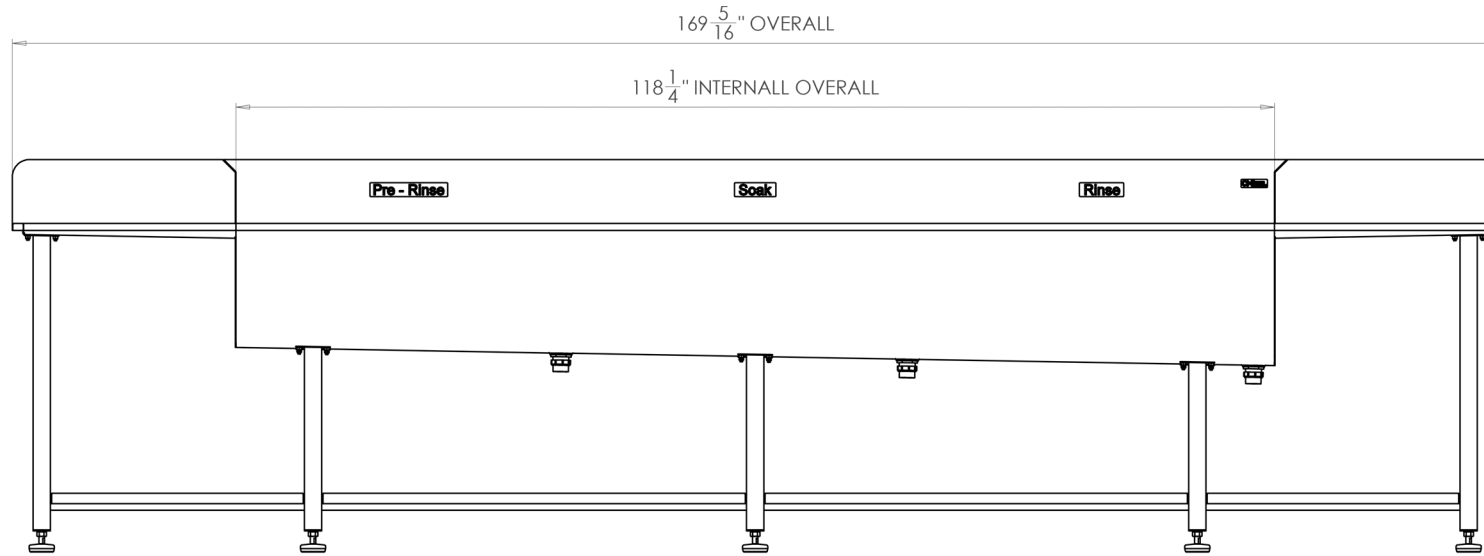
CONTINUOUSLY WELDED



[View this product online](#)

DIMENSIONS
TRIPLE BOWL UTENSIL
WASH SINK WITH DRAINBOARD
517-001249

sales@cmpsol.com t. 951 808 4376 f. 951 808 8657



Internal bowl sizes
of 24" long x 26" wide x 15" deep